

Surface Mount Metal Disk Light with PIR Sensor

3000K Warm White

DESCRIPTION

This elegant design product can provide exceptional performance in general lighting application for home, hotel, motel and commercial properties, and can also serve as a cost effective temporary lighting solution. Precision engineered optical stack creates uniform light distribution that maximizes lumen output. Smooth dimming feature and compatible with a wide variety of dimmers.

This LED disk light is designed with intelligent and energy-saving Microwave induction. The sensing range can be reached 6-7m and sensing angle is 100°.



SPECIFICATION FEATURES

CONSTRUCTION

- Unit includes die-cast metal housing, LED array, heat sink, lens, and metal trim.

CONSTRUCTION

- High quality PC lens.
- Efficiency LED array.
- Diffuse for uniform illumination.

DRIVER

- High efficiency integral 120V 60Hz constant current dimmable driver.
- Smooth flicker free deep dimming to 10% .

Microwave Sensor

- High Sensitive Microwave Sensor for 15ft

MOUNTING

- Surface mount on junction box.
- Surface mounting bracket included.

COMPLIANCE/CERTIFICATION

- ETL certified.
- EMI/RFI emissions per FCC 47CFR Part 15B.

WARRANTY

3 years manufacturer warranty, consult www.mwledlighting.com for more details.

* Terms and conditions may apply.

DIMMER COMPATIBILITY LIST

recommended dimmers

Lutron	Leviton	EATON
DVCL-153PR	DVCL-153PR	SAL06P-LA-K
CTCL-153PDH-WH	CTCL-153PDH-WH	
TGCL-153PH-WH	TGCL-153PH-WH	
P-PKGIW=WH-R	P-PKGIW=WH-R	

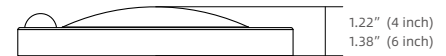
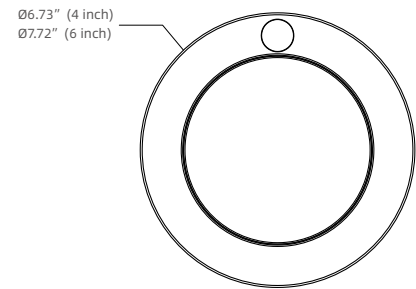


ORDERING INFORMATION

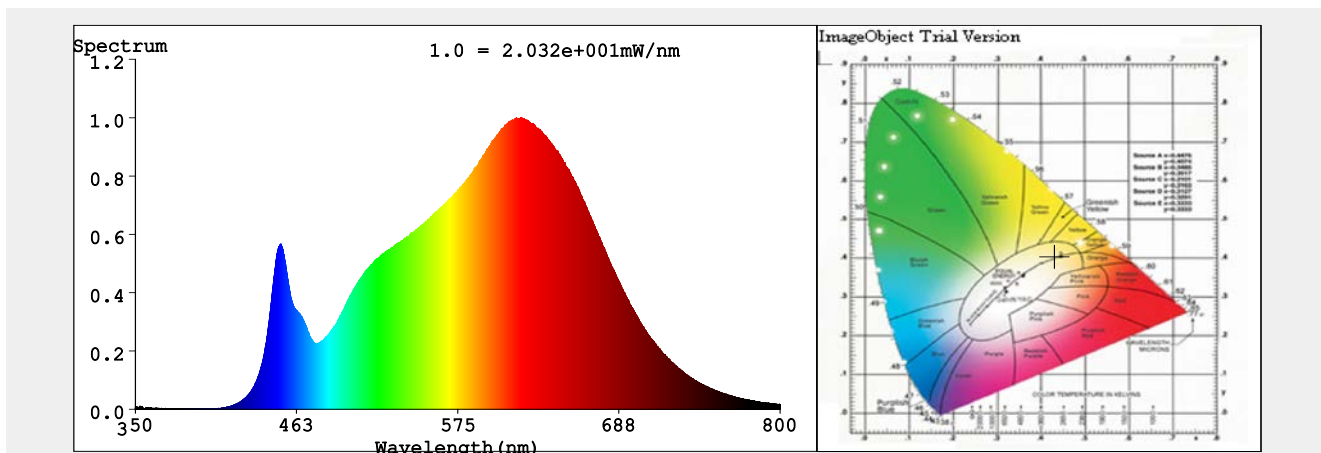
Series	CRI	Power	CCT	Lumens	Efficacy	Dimmable
TRSMT ÛI FËHESÏ P	90	10W	3000K	650LM	65LM/W	Y
MRSMT ÛÏ FÏHESÏ P	90	14W	3000K	1000LM	71LM/W	Y

DIMENSION

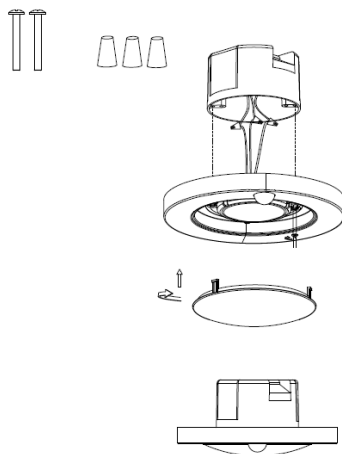
Type	Length (Inch)	Width (Inch)	Height (Inch)	Weight (LB)
4inch	6.73	6.73	1.22	0.75
6inch	7.72	7.72	1.38	0.97



PHOTOMETRY



INSTALLATION METHOD



1. Cut off the power supply.
2. Prepare screws and P3 connectors in the fitting bag.
3. Use P3 connectors to connect the DC wire to the mains.
4. Lock the housing into J-B0X with screws;
5. Check that it is flush with the ceiling.



MWLED LIGHTING

www.mwledlighting.com | Tel: 909-972-6777 | E-mail: Info@mwledlighting.com | 17578 Rowland St., City of Industry, CA 91748